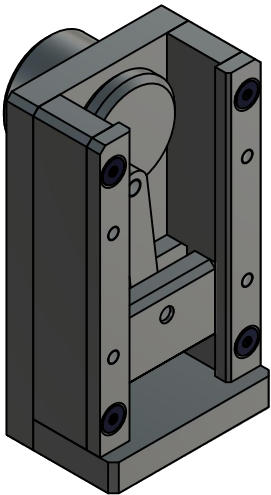


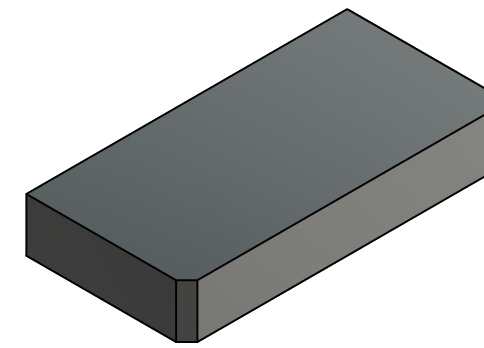
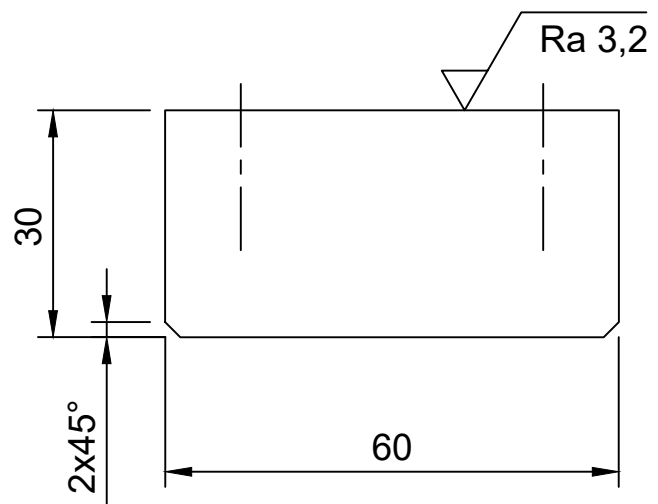
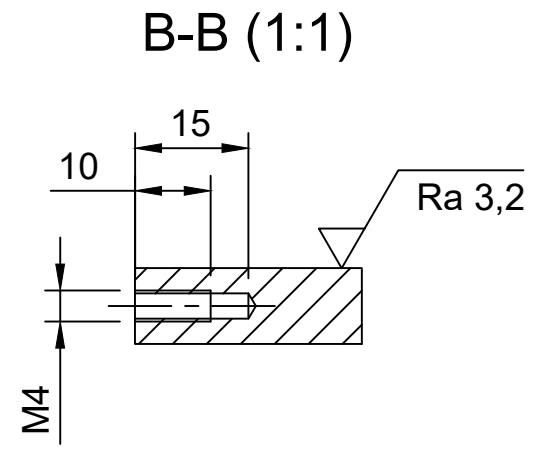
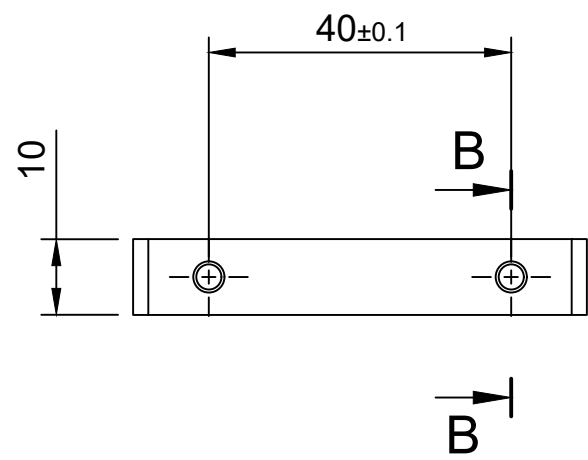




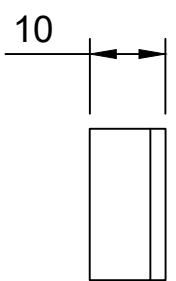
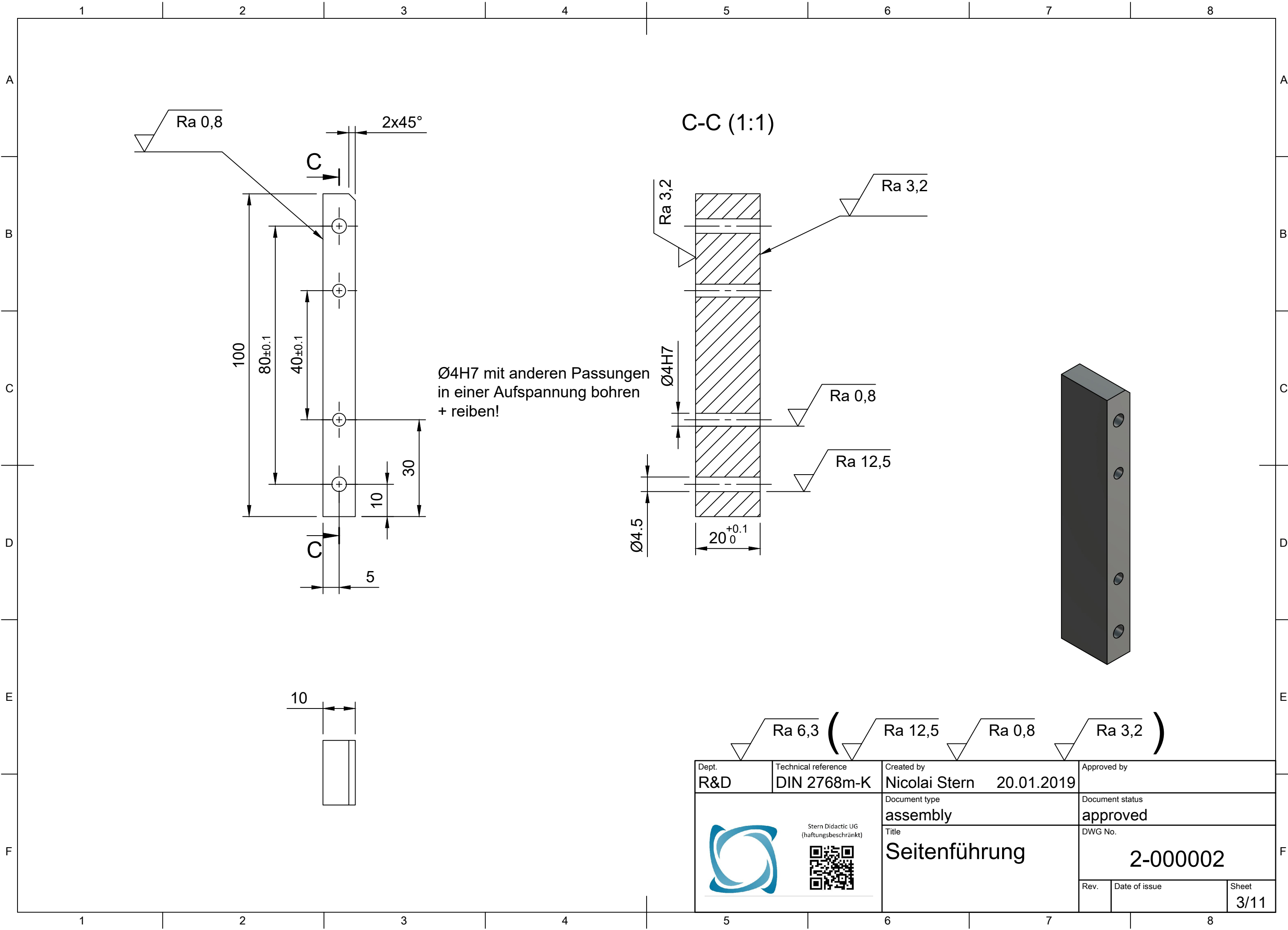
Teilleiste				
Element	Anz.	Bauteilnummer	Bauteilname	Material
1	1	2-000001	Grundplatte	Stahl
2	1	2-000002	Seitenführung1	Stahl
3	1	2-000003	Seitenführung2	Stahl
4	1	2-000006	Exzenterad	Stahl
5	1	2-000007	Pleuel	Stahl
6	1	2-000008	Drehrad	Stahl
7	1	2-000010	Abdeckung1	Stahl
8	1	2-000011	Abdeckung2	Stahl
9	1	2-000004	Rückplatte	Stahl
10	1	2-000005	Kolben	Stahl
11	4	3-000001	Senkschraube DIN 7991 M4x35 10	Stahl
12	4	3-000002	Zylinderstift ISO 8734 4m6x32 Blank	Stahl
13	3	3-000003	Zylinderkopfschraube 4x16 12	Stahl
14	1	3-000004	Zylinderstift ISO 8734 5m6x18 Blank	Stahl
15	1	3-000005	Zylinderstift ISO 8734 5m6x12 Blank	Stahl




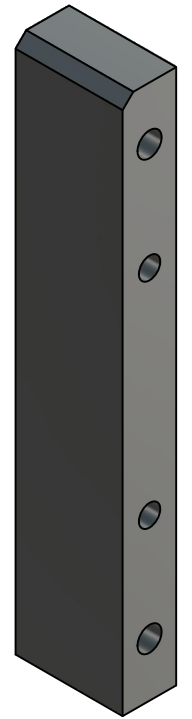
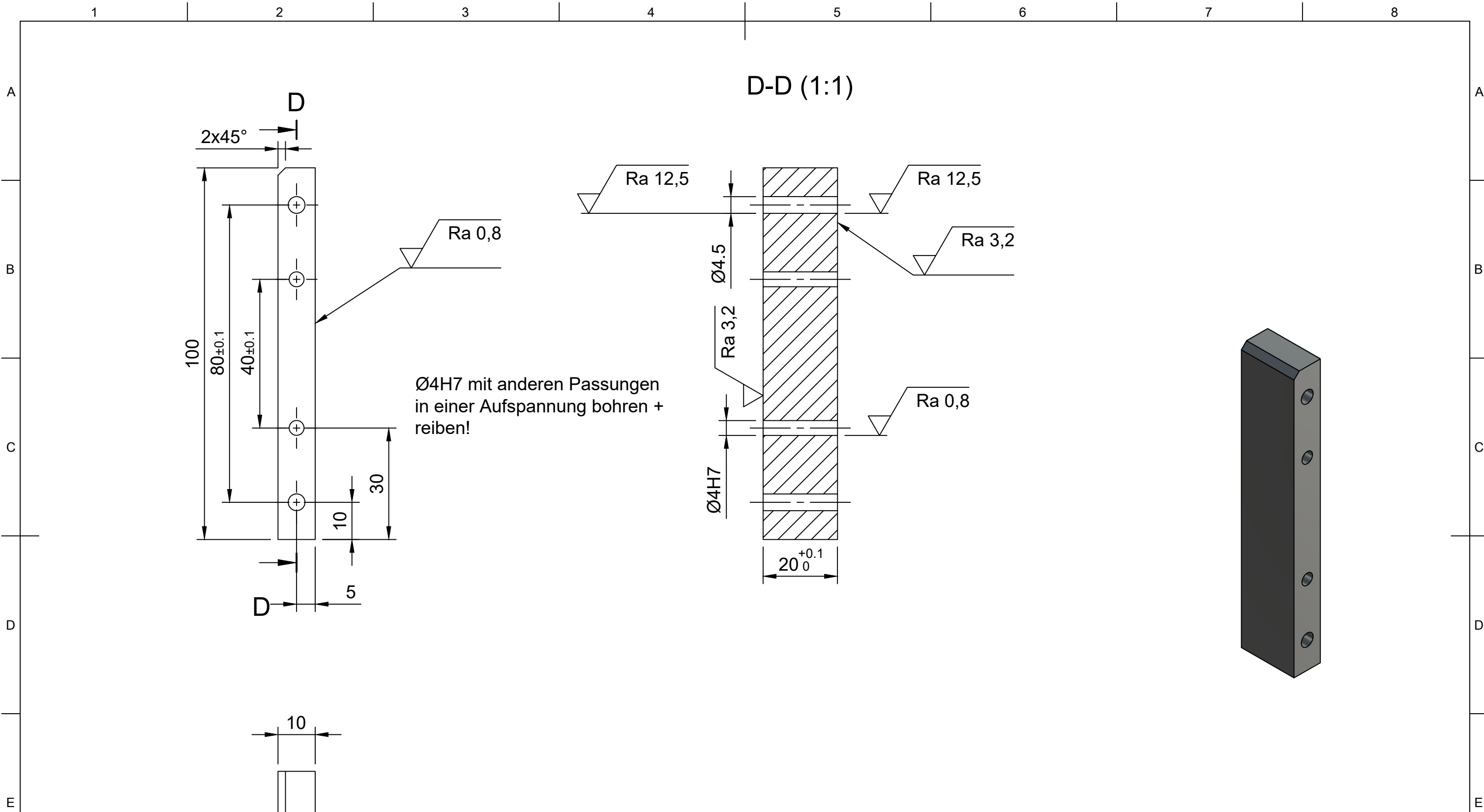
Dept. R&D	Technical reference DIN 2768m-K	Created by Nicolai Stern 20.01.2019	Approved by
 Stern Didactic UG (haftungsbeschränkt) 		Document type assembly	Document status approved
		Title Baugruppe	DWG No. 1-000001
Rev.	Date of issue	Sheet 1/11	




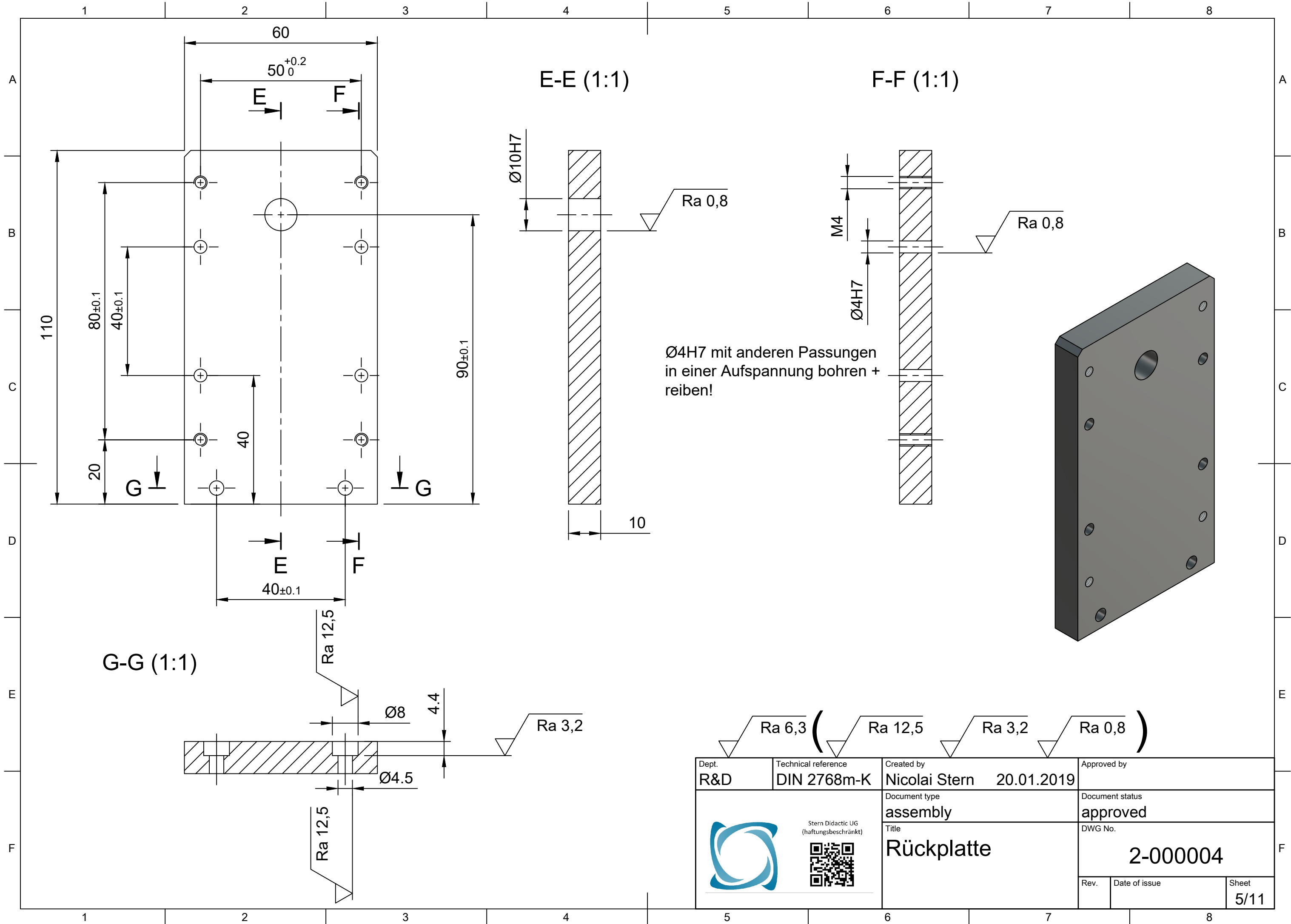
Dept. R&D	Technical reference DIN 2768m-K	Created by Nicolai Stern 20.01.2019	Approved by
 Stern Didactic UG (haftungsbeschränkt) 		Document type assembly	Document status approved
		Title Grundplatte	DWG No. 2-000001
Rev.	Date of issue	Sheet 2/11	





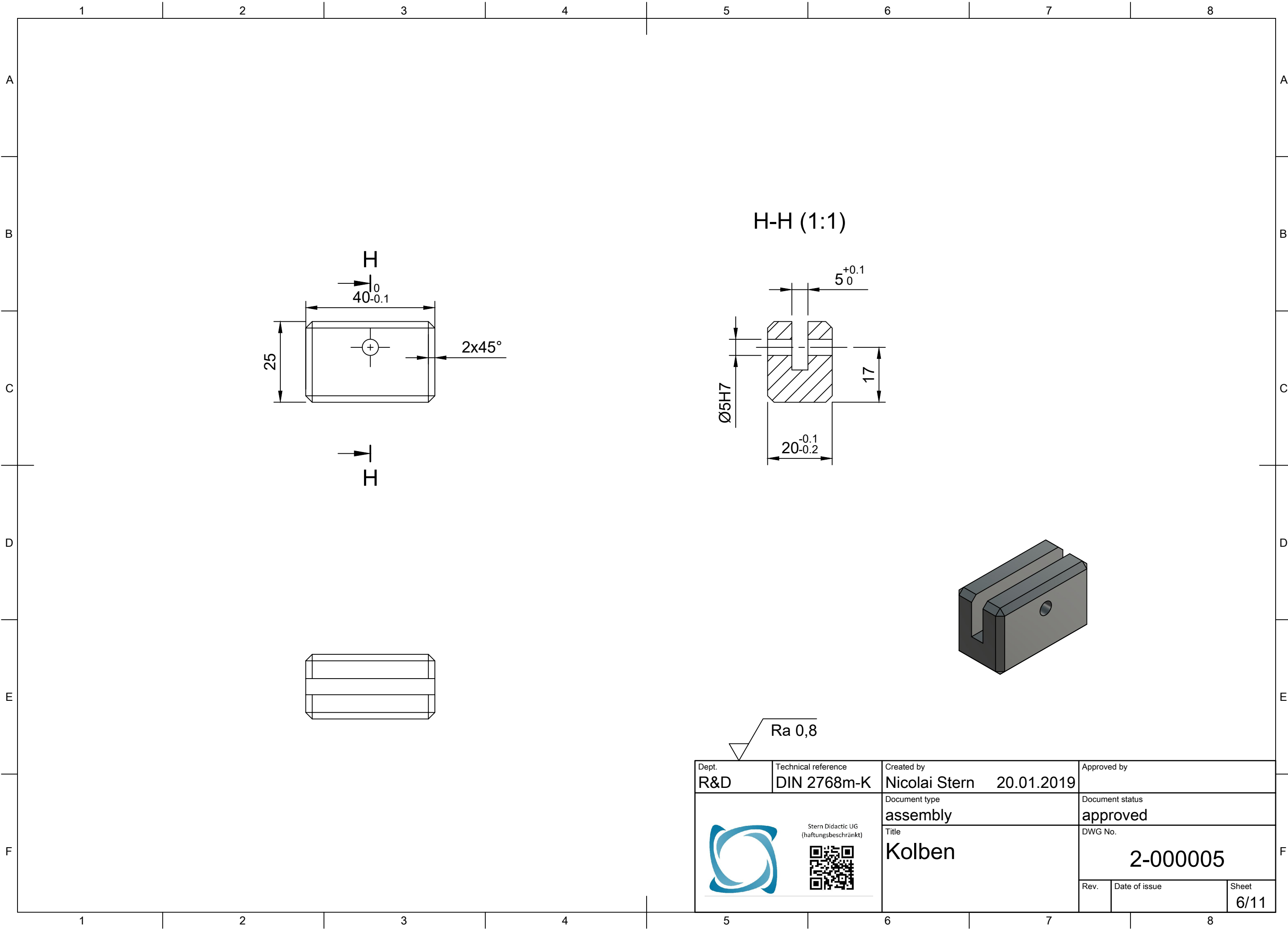
Dept. R&D	Technical reference DIN 2768m-K	Created by Nicolai Stern 20.01.2019	Approved by
 Stern Didactic UG (haftungsbeschränkt)		Document type assembly	Document status approved
		Title Seitenführung	DWG No. 2-000002
		Rev.	Date of issue
		Sheet 3/11	





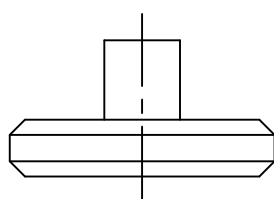
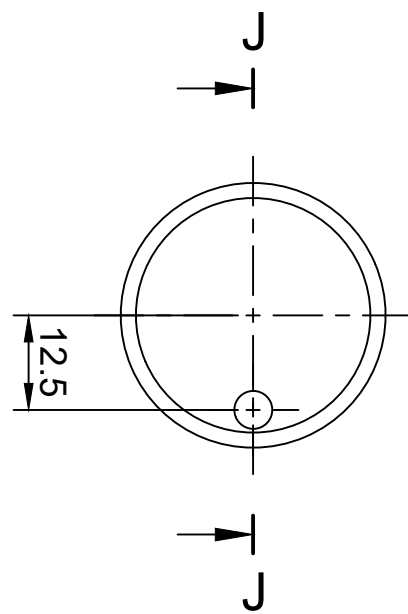
Ra 6,3		Ra 12,5		Ra 3,2		Ra 0,8	
Dept. R&D	Technical reference DIN 2768m-K	Created by Nicolai Stern	20.01.2019	Approved by			
 Stern Didactic UG (haftungsbeschränkt)		Document type assembly		Document status approved			
		Title Seitenführung2		DWG No. 2-000003			
		Rev.	Date of issue	Sheet		4/11	



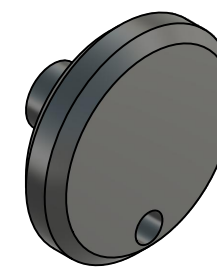
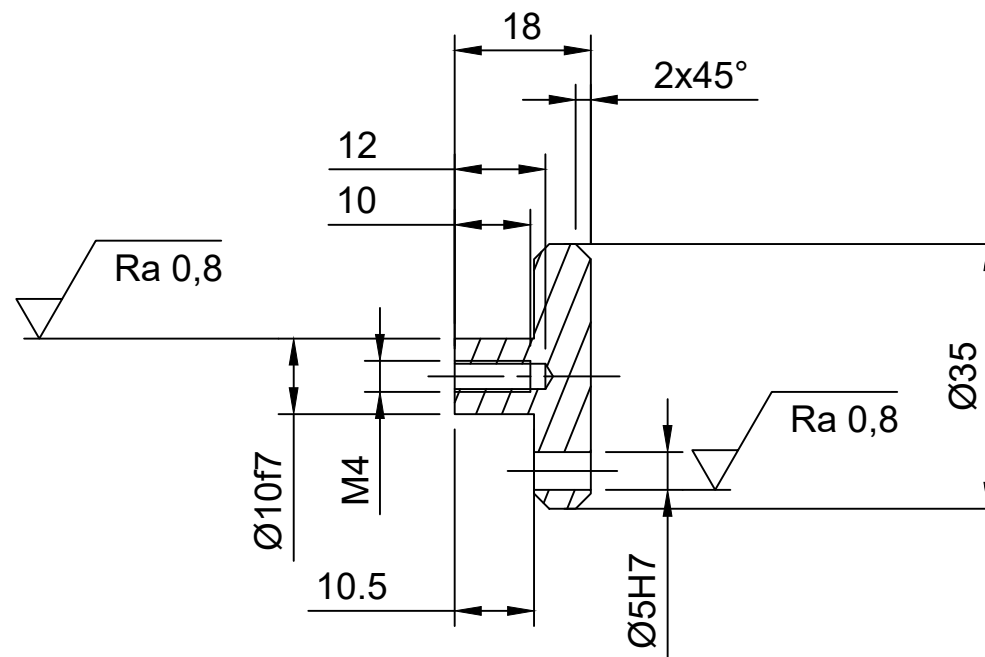
Dept. R&D	Technical reference DIN 2768m-K	Created by Nicolai Stern 20.01.2019	Approved by
 		Document type assembly	Document status approved
		Title Rückplatte	DWG No. 2-000004
		Rev.	Date of issue
		Sheet 5/11	




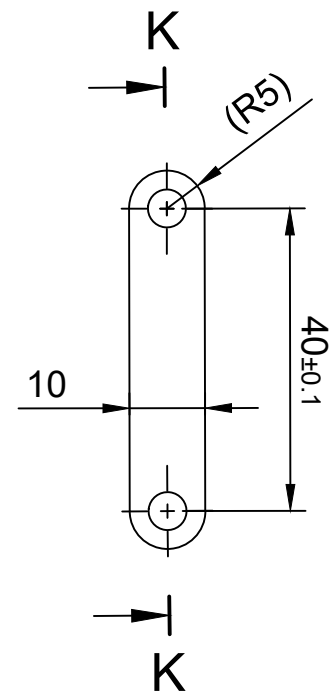
Dept. R&D	Technical reference DIN 2768m-K	Created by Nicolai Stern 20.01.2019	Approved by
  <p>Stern Didactic UG (haftungsbeschränkt)</p>		Document type assembly	Document status approved
		Title Kolben	DWG No. 2-000005
Rev.	Date of issue	Sheet 6/11	



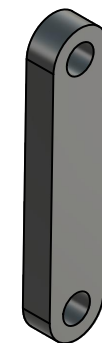
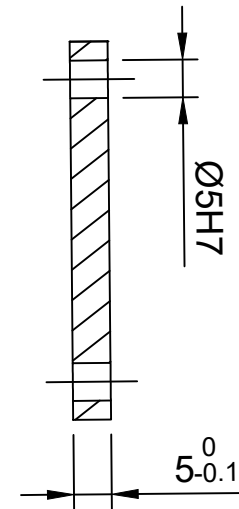
J-J (1:1)





Dept. R&D	Technical reference DIN 2768m-K	Created by Nicolai Stern 20.01.2019	Approved by
 Stern Didactic UG (haftungsbeschränkt)		Document type assembly	Document status approved
		Title Exzenterrad	DWG No. 2-000006
		Rev.	Date of issue
		Sheet 7/11	

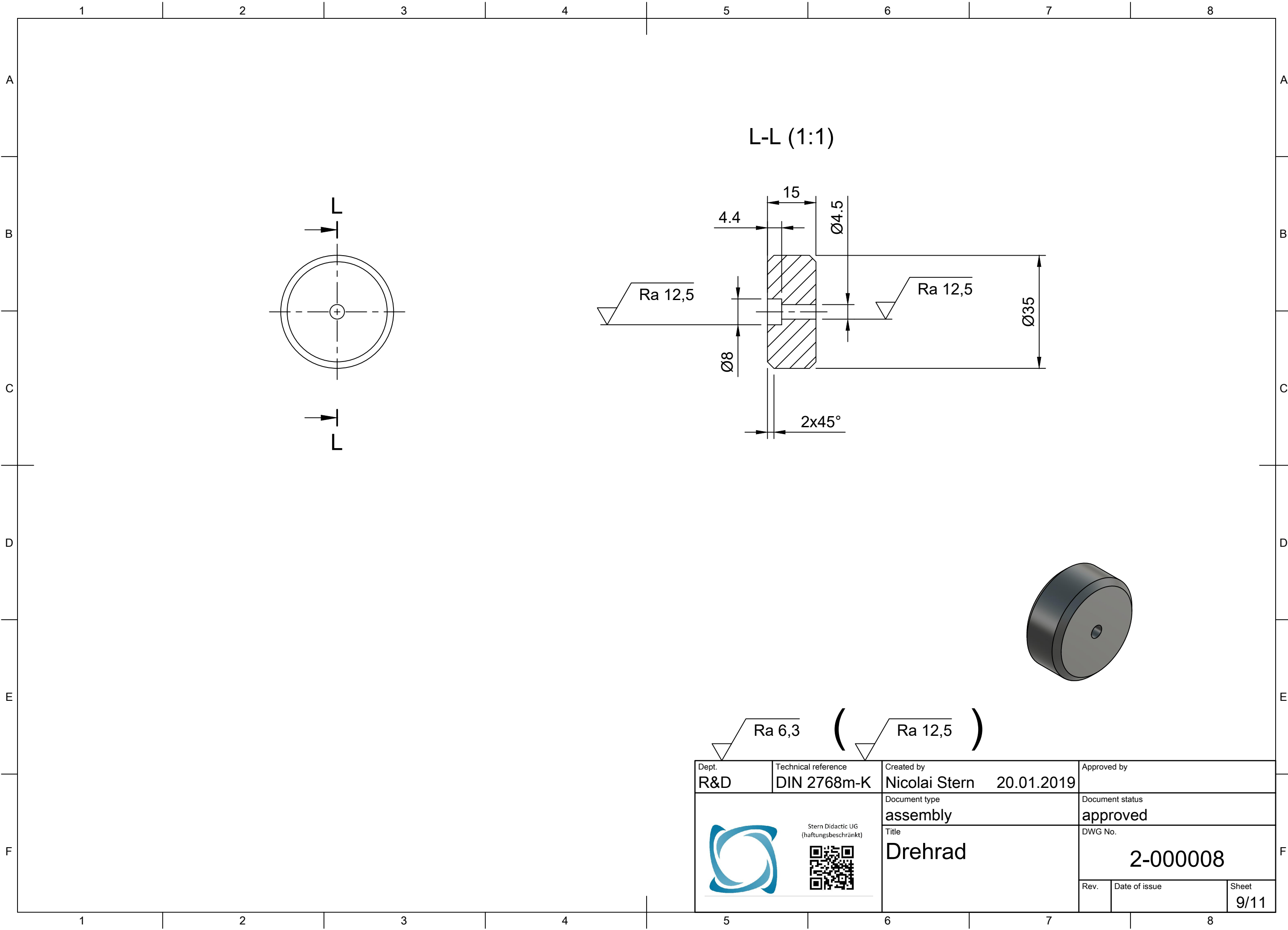


K-K (1:1)

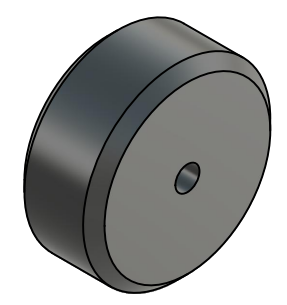
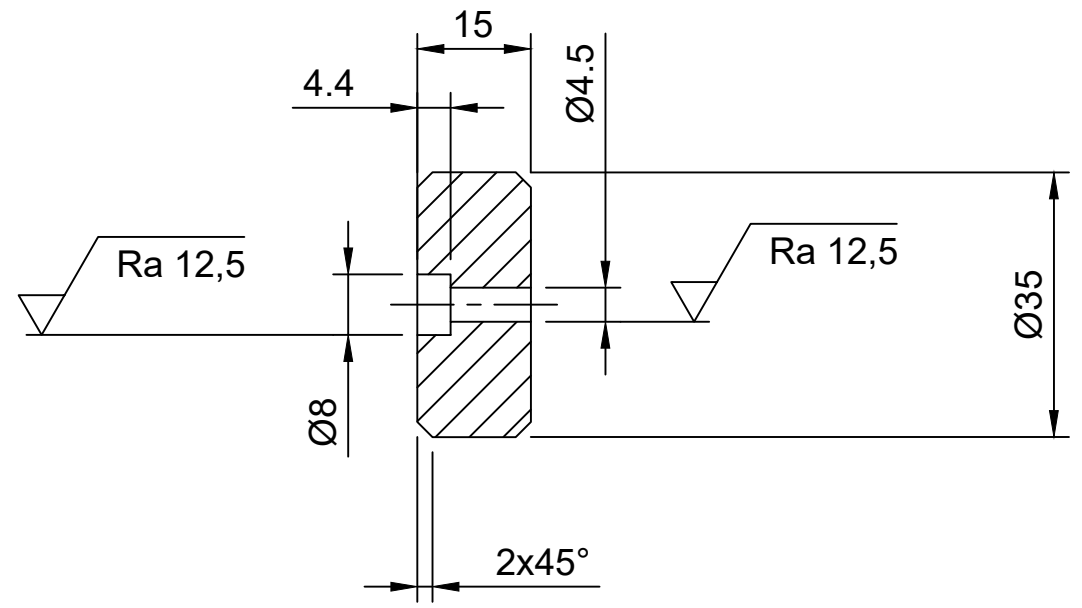
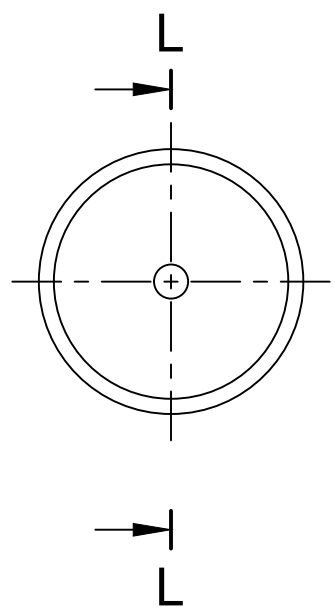


Ra 0,8



Dept. R&D	Technical reference DIN 2768m-K	Created by Nicolai Stern 20.01.2019	Approved by
 Stern Didactic UG (haftungsbeschränkt) 		Document type assembly	Document status approved
		Title Pleuel	DWG No. 2-000007
		Rev.	Date of issue
		Sheet 8/11	

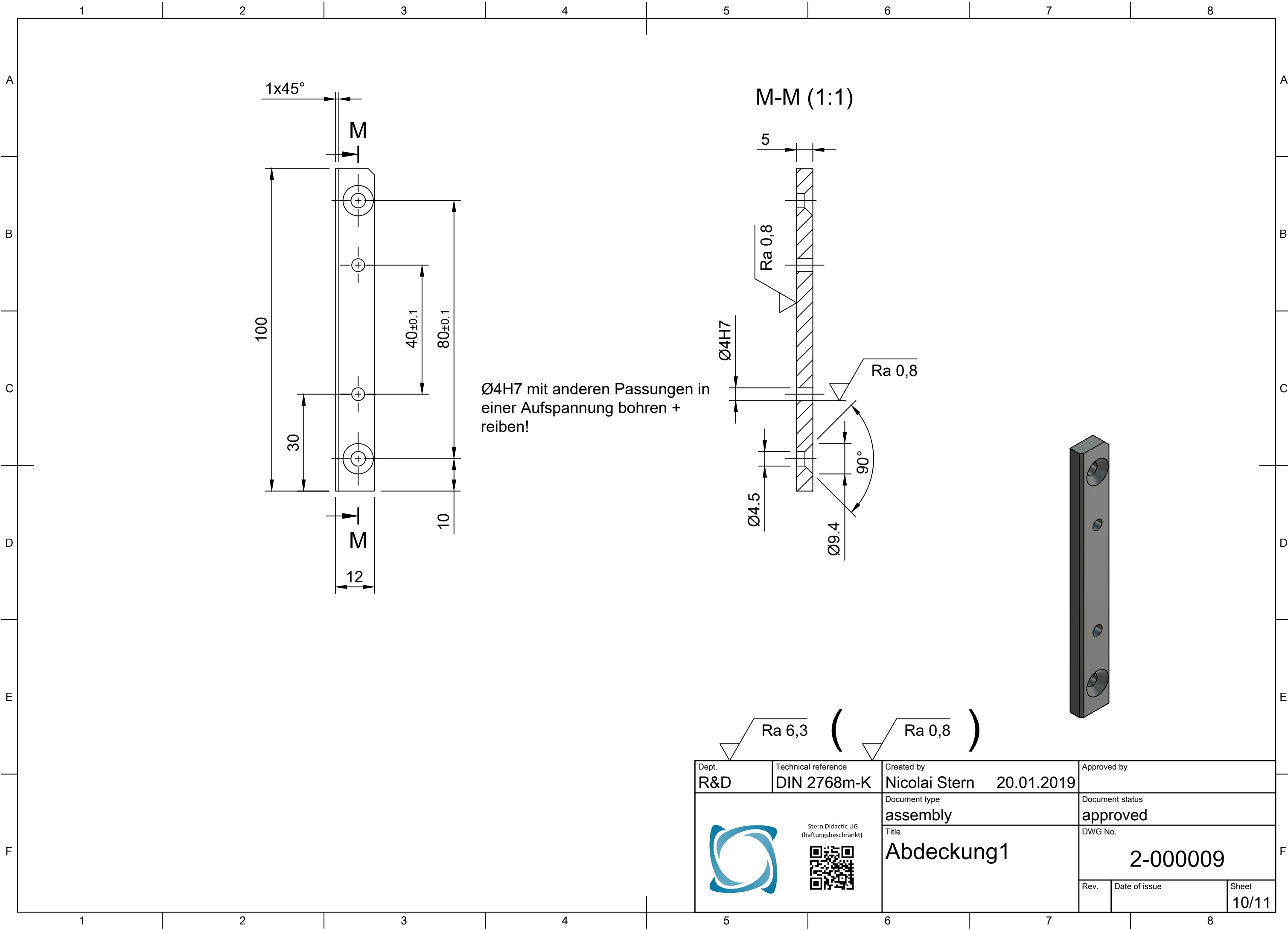



L-L (1:1)

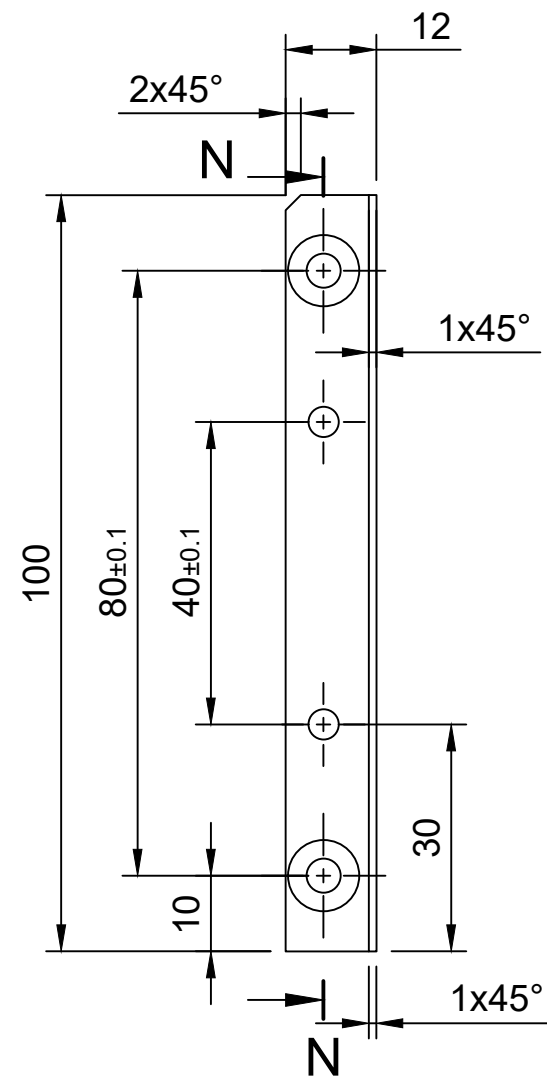


Ra 6,3 (Ra 12,5)

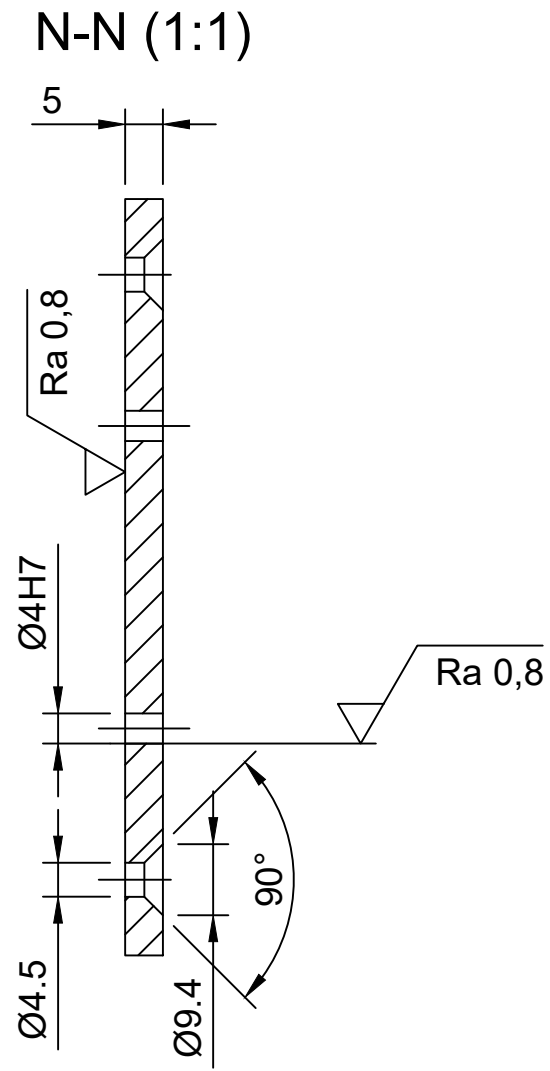
Dept. R&D	Technical reference DIN 2768m-K	Created by Nicolai Stern 20.01.2019	Approved by
  <p>Stern Didactic UG (haftungsbeschränkt)</p>		Document type assembly	Document status approved
		Title Drehrad	DWG No. 2-000008
Rev.	Date of issue	Sheet 9/11	




Dept. R&D	Technical reference DIN 2768m-K	Created by Nicolai Stern 20.01.2019	Approved by
 Stern Didactic UG (haftungsbeschränkt)		Document type assembly	Document status approved
		Title Abdeckung 1	DWG No. 2-000009
		Rev.	Date of issue
		Sheet 10/11	



Ø4H7 mit anderen Passungen
in einer Aufspannung bohren +
reiben!



Ra 6,3		Ra 0,8	
Dept. R&D	Technical reference DIN 2768m-K	Created by Nicolai Stern 20.01.2019	Approved by
 Stern Didactic UG (haftungsbeschränkt)		Document type assembly	Document status approved
		Title Abdeckung2	DWG No. 2-000010
Rev.	Date of issue	Sheet 11/11	